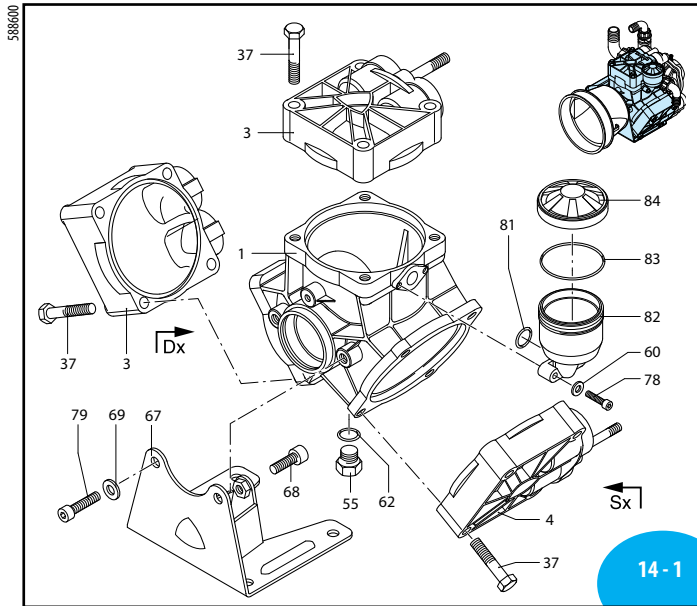
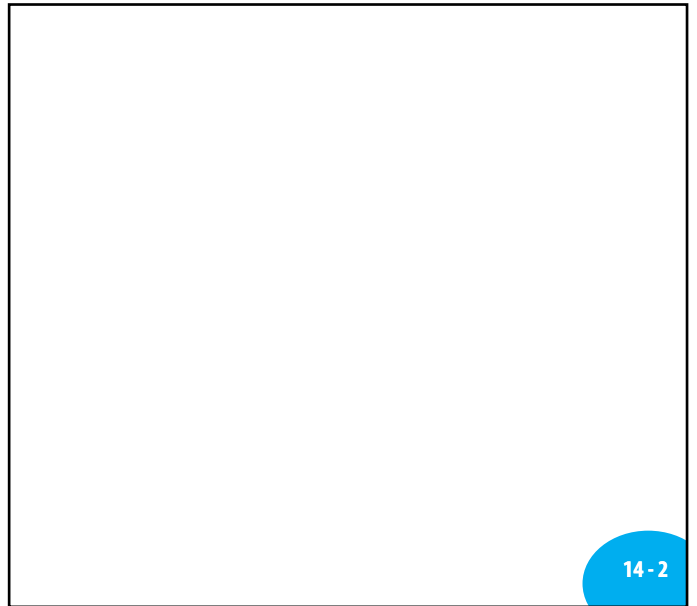


## AR 115 bp - AR 135 bp - AR 115 bp/1000 giri-rpm

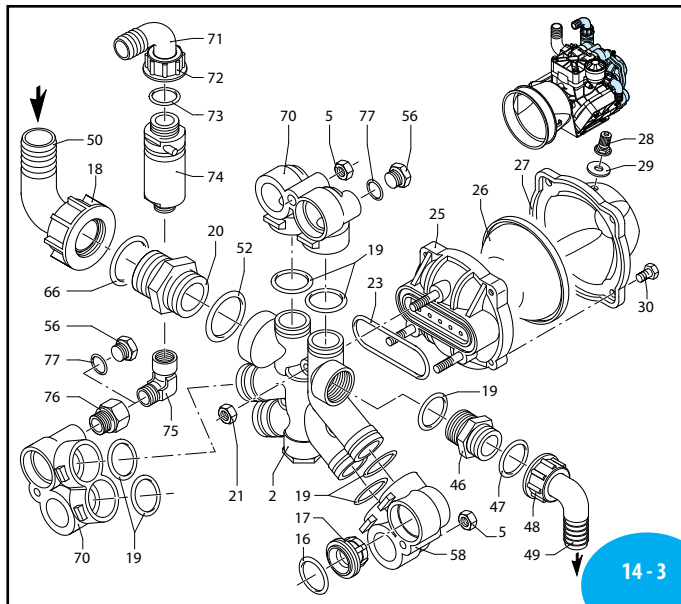


14 - 1

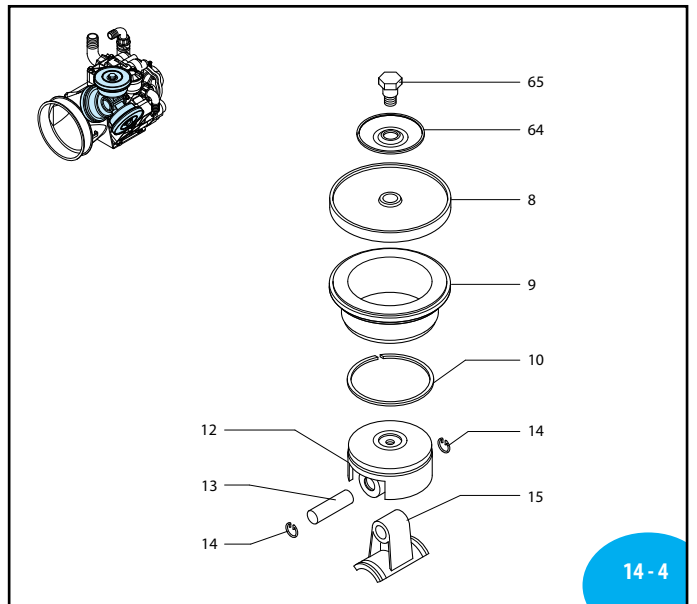


14 - 2

SLO00061-EZ



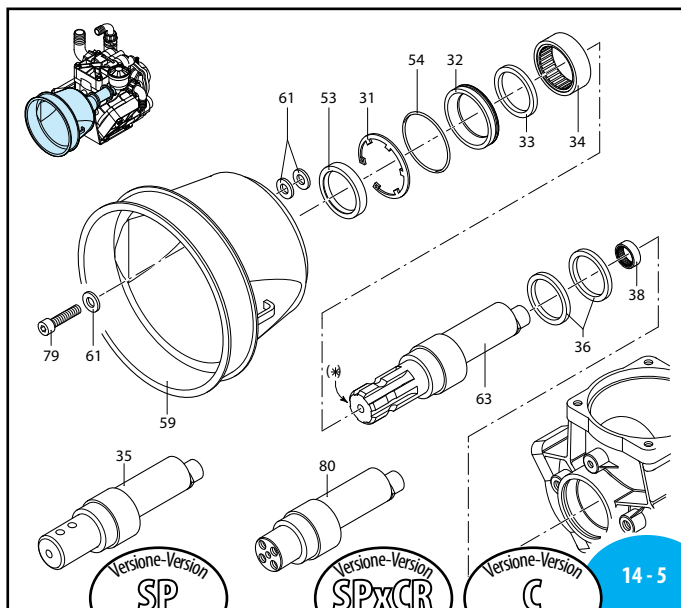
14 - 3



14 - 4

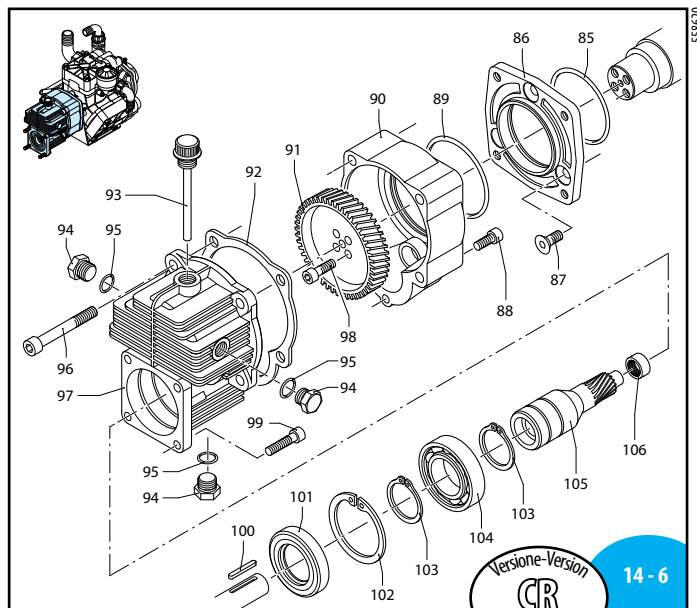
SLO00062-EZ

UN990004-IB



14 - 5

UN990002-IB



14 - 6

UN980017-IC

# AR 115 bp - AR 135 bp - AR 115 bp/1000 giri-rpm

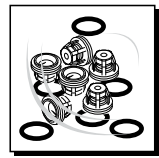
Pos. 序号	Cod. 编号	Description	描述	Q.ty 数量	Note 备注
1	580013	Pump body	泵体	1	
2	580150	Manifold line	歧管线路	1	
3	550101	Right head	右泵头	2	
4	550102	Left head	左泵头	1	
5	180152	Nut	螺母	3	Geomet C <sub>40</sub>
	550080	Diaphragm	隔膜	3	Gomma
	550084	Diaphragm	隔膜	3	Viton
	550085	Diaphragm	隔膜	3	Desmopan
	550086	Diaphragm	隔膜	3	H.P.D.S.
	580110	Sleeve	套筒	3	AR 115 bp
	580350	Sleeve	套筒	3	AR 135 bp
10	500260	Piston ring	柱塞环	3	
12	580120	Piston	柱塞	3	
13	380300	Pin	插针	3	☒
14	380080	Pin ring	插针环	6	
15	580140	Connecting rod	连杆	3	
16	320030	O-Ring	O型圈	6	90 Sh ☒
17	759051	Complete valve	单向阀	6	
18	540541	Ring nut	环形螺母	1	
19	390291	O-Ring	O型圈	7	☒
20	540530	Threaded adapter	螺口连接器	1	
21	390271	Nut	螺母	3	Geomet C <sub>20</sub>
23	580050	Gasket	垫片	1	☒
25	580180	Lower air chamber	低气压室	1	
	550190	Semi air chamber	半空气室	1	Gomma
	550191	Semi air chamber	半空气室	1	Saturflon
	550192	Semi air chamber	半空气室	1	Viton
	550193	Semi air chamber	半空气室	1	H.P.D.S.
27	550233	Upper air chamber	升压气室	1	Nera / Black
28	550300	Air-valve	空气阀	1	C <sub>3</sub>
29	650542	Gasket	垫片	1	
30	550680	Bolt	螺栓	4	C <sub>20</sub>
31	200391	Circlip	卡簧	1	
32	550470	Gasket retainer	垫片护圈	1	
33	550070	Spacer ring	隔离片圈	1	
34	550060	Roller bushing	滚轮套管	1	↓
	550170	"SP" shaft	"SP" 轴	1	AR 115 bp (AL)
	580380	"SP" shaft	"SP" 轴	1	AR 135 bp (AT)
36	580470	Con rod ring	连杆环	2	☒
37	551040	Bolt	螺栓	12	Geomet C <sub>40</sub>
38	550310	Roller bushing	滚轮套管	1	↓
46	550340	Threaded adapter	螺口连接器	1	
47	550350	O-Ring	O型圈	1	☒
48	550242	Ring nut	环形螺母	1	
49	550370	Elbow	弯管	1	
50	540550	Elbow	弯管	1	
52	250310	O-Ring	O型圈	1	☒
53	550491	Seal ring	密封圈	1	☒
54	650920	O-Ring	O型圈	1	☒
55	880530	Plug	插头	1	C <sub>20</sub>
56	330173	Plug	插头	2	Geomet C <sub>20</sub>
58	580072	Left manifold coupling	左歧管联轴器	1	

Pos. 序号	Cod. 编号	Description	描述	Q.ty 数量	Note 备注
59	1500350	Cardan protection	万向防护罩	1	
60	550332	Washer	垫圈	2	Geomet
61	320621	Washer	垫圈	5	Geomet
62	740290	O-Ring	O型圈	1	▶
	550173	"C" shaft	"C" 轴	1	AR 115 bp (AM)
	580330	"C" shaft	"C" 轴	1	AR 135 bp (AS)
64	580370	Plate	金属片	3	
65	580360	Diaphragm pin	隔膜插针	3	● C <sub>20</sub>
66	250310	O-Ring	O型圈	1	☒
67	580080	Base	底座	1	
68	540301	Bolt	螺栓	1	Geomet C <sub>40</sub>
69	200233	Washer	垫圈	2	Geomet
70	580400	Right man.coup.+outlet	右歧管联轴器+出水口	2	
71	550460	Elbow	弯管	1	
72	550450	Ring nut	3/4" G 环形螺母	1	
73	880831	O-Ring	O型圈	1	Viton
74	1609000	Safety valve	安全阀	1	■
75	881560	Elbow	弯管	1	■
76	580421	Extension	延伸部分	1	C <sub>20</sub>
77	180101	O-Ring	O型圈	2	▶
78	850851	Bolt	M 6x30 螺栓	2	Geomet C <sub>10</sub>
79	620472	Bolt	M 10x20 螺栓	3	Geomet C <sub>30</sub>
	550175	"SPxCR" shaft	"SPxCR" 轴	1	AR 115 bp (AN)
	580430	"SPxCR" shaft	"SPxCR" 轴	1	AR 135 bp (AX)
81	390180	O-Ring	O型圈	1	▶
82	1040310	Oil tank	机油箱	1	
83	650920	O-Ring	O型圈	1	
	1040322	Black oil tank cap	黑色机油箱盖	1	AR 115 bp
	1040320	Red oil tank cap	红色机油箱盖	1	AR 135 bp
85	580230	O-Ring	O型圈	1	
86	550920	Flange	法兰	1	
87	550950	Bolt	M 10x25 螺栓	3	C <sub>20</sub>
88	180030	Bolt	M 8x20 螺栓	1	C <sub>25</sub>
89	620561	O-Ring	O型圈	1	☒
90	621000	Gear cap	齿轮盖	1	
91	550930	Gear	滚轮	1	Z= 64
92	620950	Gasket	垫片	1	
93	1140370	Oil plug & o-ring	机油插头 & O型圈	1	
94	1980740	Plug	3/8" G 插头	3	Ottone/Brass ● C <sub>20</sub>
95	740290	O-Ring	O型圈	3	
96	621010	Bolt	M 10x75 螺栓	4	● C <sub>25</sub>
97	620960	Gear box	齿轮箱	1	
98	540290	Bolt	M 8x25 螺栓	4	● C <sub>25</sub>
99	651000	Bolt	5/16" 螺栓	4	5/16"x24UNFx1"
100	881090	Key	插销	1	
101	961800	Seal ring	密封圈	1	☒
102	961790	Circlip	卡簧	1	
103	320240	Circlip	卡簧	2	
104	961780	Bearing	轴承	1	☒
105	621660	Pinion	输出轴	1	Z= 11
106	620990	Bearing	轴承	1	

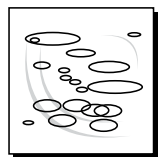
Low Pressure  
低压



KIT 2367 Buna diaphragms 丁纳橡胶隔膜	
Pos. 序号	Q.ty 数量
8	3



KIT 2370 Valves 单向阀	
Pos. 序号	Q.ty 数量
16	6
17	6



KIT 2026 O-Rings O型圈	
Pos. 序号	Q.ty 数量
16	6
19	7
29	1
47	1
52	1
54	1
66	1
81	1
83	1

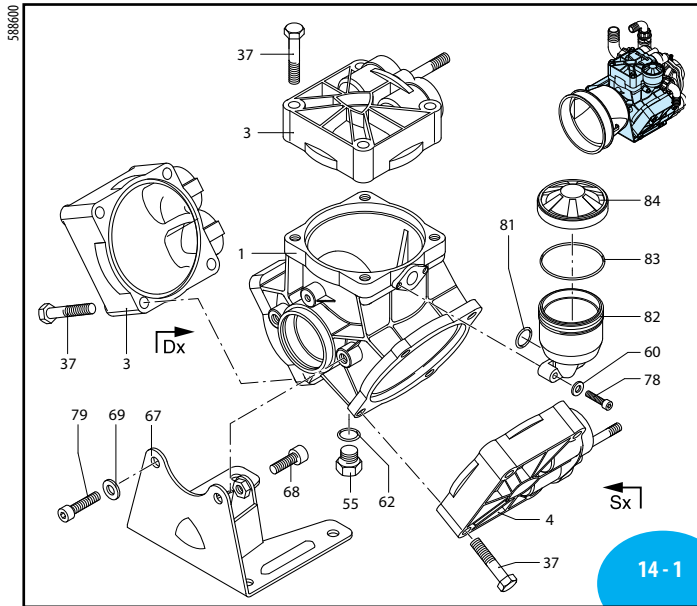


KIT 2025 Maintenance repair 维修工具					
Pos. 序号	Q.ty 数量	Pos. 序号	Q.ty 数量	Pos. 序号	Q.ty 数量
8	3	46	1	81	1
16	6	47	1	82	1
17	6	48	1	83	1
18	1	49	1	84	1
19	7	50	1		
20	1	53	1		
23	1	54	1		
26	1	64	1		
29	1	65	1		

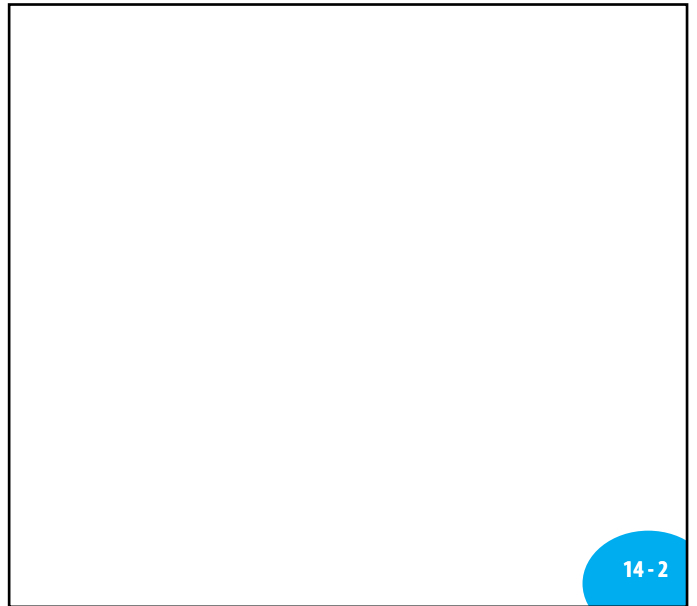


Used oil 使用机油	
Type / 类型	Kg
Pump - 水泵 SAE 30	1
Gear box - 齿轮箱 SAE 30	0,26

## AR 115 bp - AR 135 bp - AR 115 bp/1000 giri-rpm

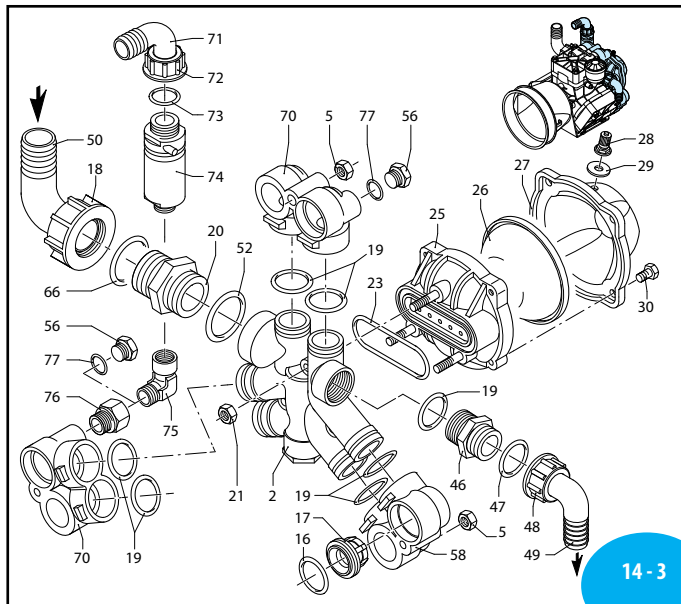


14 - 1

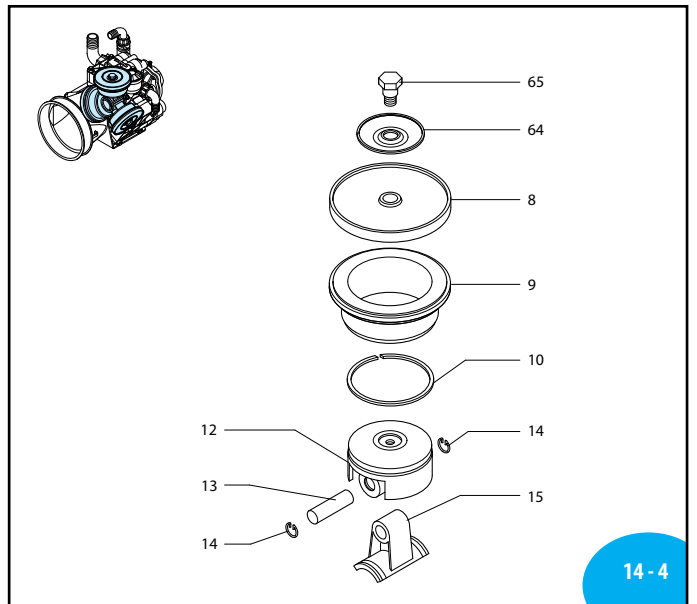


14 - 2

SL000061-EZ



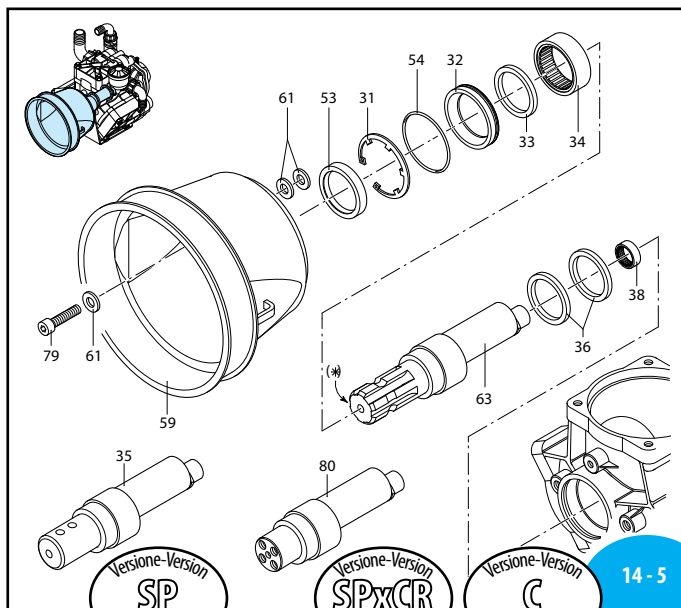
14 - 3



14 - 4

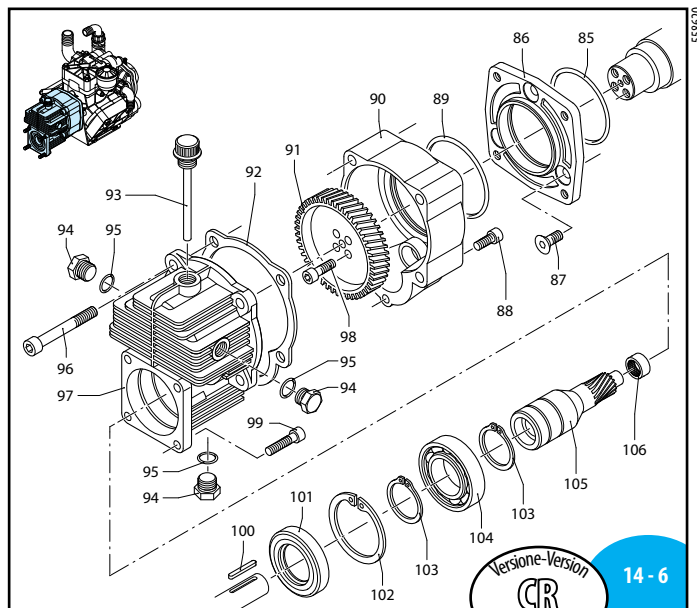
SL000062-EZ

UN990004-IB



14 - 5

UN990002-IB



14 - 6

UN980017-IC

# AR 115 bp - AR 135 bp - AR 115 bp/1000 giri-rpm

Pos.	Cod.	Descrizione	Description	Q.ty	Note
1	580013	Corpo pompa	Pump body	1	
2	580150	Condotto mand.- asp.	Manifold line	1	
3	550101	Testa valvola DX	Right head	2	
4	550102	Testa valvola SX	Left head	1	
5	180152	Dado M 10	Nut	3	Geomet C <sub>40</sub>
	550080	Membrana	Diaphragm	3	Gomma
	550084	Membrana	Diaphragm	3	Viton
	550085	Membrana	Diaphragm	3	Desmopan
	550086	Membrana	Diaphragm	3	H.P.D.S.
	580110	Camicia	Sleeve	3	AR 115 bp
	580350	Camicia	Sleeve	3	AR 135 bp
10	500260	Segmento	Piston ring	3	
12	580120	Pistone	Piston	3	
13	380300	Spinotto	Pin	3	☒
14	380080	Anellino spinotto	Pin ring	6	
15	580140	Biella	Connecting rod	3	
16	320030	OR ø 31,5x4,5	O-Ring	6	90 Sh ☒
17	759051	Valvola completa	Complete valve	6	
18	540541	Girello 1" 3/4 G spec.	Ring nut	1	
19	390291	OR ø 28,25x2,62	O-Ring	7	☒
20	540530	Nipples 1"1/4-1"3/4 G (M)	Threaded adapter	1	
21	390271	Dado M 8	Nut	3	Geomet C <sub>20</sub>
23	580050	Guarnizione	Gasket	1	☒
25	580180	Semisfera inferiore	Lower air chamber	1	
	550190	Semicamera aria	Semi air chamber	1	Gomma
	550191	Semicamera aria	Semi air chamber	1	Saturflon
	550192	Semicamera aria	Semi air chamber	1	Viton
	550193	Semicamera aria	Semi air chamber	1	H.P.D.S.
27	550233	Semisfera superiore	Upper air chamber	1	Nera / Black
28	550300	Valvola di gonfiaggio	Air-valve	1	C <sub>3</sub>
29	650542	Guarnizione	Gasket	1	
30	550680	Vite TE M 8x20	Bolt	4	C <sub>20</sub>
31	200391	Anello seeger	Circlip	1	
32	550470	Bussola anello tenuta	Gasket retainer	1	
33	550070	Rondella tenuta	Spacer ring	1	
34	550060	Boccola a rullini	Roller bushing	1	↓
	550170	Albero eccentrico "SP"	"SP" shaft	1	AR 115 bp (AL)
	580380	Albero eccentrico "SP"	"SP" shaft	1	AR 135 bp (AT)
36	580470	Anello biella	Con rod ring	2	☒
37	551040	Vite TE M 10x55	Bolt	12	Geomet C <sub>40</sub>
38	550310	Boccola a rullini	Roller bushing	1	↓
46	550340	Nipples 1"G(M)-1"G(M)	Threaded adapter	1	
47	550350	OR ø 23,81x2,62	O-Ring	1	☒
48	550242	Girello 1" G	Ring nut	1	
49	550370	Curva ø 25	Elbow	1	
50	540550	Curva ø 40	Elbow	1	
52	250310	OR ø 36,14x2,62	O-Ring	1	☒
53	550491	Anello tenuta	Seal ring	1	☒
54	650920	OR ø 53,65x2,62	O-Ring	1	☒
55	880530	Tappo 3/8" G	Plug	1	C <sub>20</sub>
56	330173	Tappo 1/2" G	Plug	2	Geomet C <sub>20</sub>
58	580072	Attacco asp. mand. SX	Left manifold coupling	1	

Pos.	Cod.	Descrizione	Description	Q.ty	Note
59	1500350	Protezione cardano	Cardan protection	1	
60	550332	Rosetta øi 6,5	Washer	2	Geomet
61	320621	Rosetta øi 10,5	Washer	5	Geomet
62	740290	OR ø 14x1,78	O-Ring	1	▶
	550173	Albero eccentrico "C"	"C" shaft	1	AR 115 bp (AM)
	580330	Albero eccentrico "C"	"C" shaft	1	AR 135 bp (AS)
64	580370	Piattello	Plate	3	
65	580360	Perno membrana	Diaphragm pin	3	● C <sub>20</sub>
66	250310	OR ø 36,14x2,62	O-Ring	1	☒
67	580080	Piede corpo pompa	Base	1	
68	540301	Vite TCEI M 10x30	Bolt	1	Geomet C <sub>40</sub>
69	200233	Rosetta øi 10,5	Washer	2	Geomet
70	580400	Attacco DX forato	Right man.coup.-outlet	2	
71	550460	Curva ø 18	Elbow	1	
72	550450	Girello 3/4" G	Ring nut	1	
73	880831	OR ø 15,54x2,62	O-Ring	1	Viton
74	1609000	Valvola di sicurezza	Safety valve	1	■
75	881560	Gomito 90° 1/2"G (M)-(F)	Elbow	1	■
76	580421	Prolunga (M)-(F) 1/2"G	Extension	1	C <sub>20</sub>
77	180101	OR ø 17,5x2	O-Ring	2	▶
78	850851	Vite TCEI M 6x30	Bolt	2	Geomet C <sub>10</sub>
79	620472	Vite TCEI M 10x20	Bolt	3	Geomet C <sub>30</sub>
	550175	Albero eccentric. "SPxCR"	"SPxCR" shaft	1	AR 115 bp (AN)
	580430	Albero eccentric. "SPxCR"	"SPxCR" shaft	1	AR 135 bp (AX)
81	390180	OR ø 18,72x2,62	O-Ring	1	▶
82	1040310	Serbatoio olio	Oil tank	1	
83	650920	OR ø 53,65x2,62	O-Ring	1	
	1040322	Tappo serbatoio nero	Black oil tank cap	1	AR 115 bp
	1040320	Tappo serbatoio rosso	Red oil tank cap	1	AR 135 bp
85	580230	OR ø 69,52x2,62	O-Ring	1	
86	550920	Flangia	Flange	1	
87	550950	Vite TSEI M 10x25	Bolt	3	C <sub>20</sub>
88	180030	Vite TCEI M 8x20	Bolt	1	C <sub>25</sub>
89	620561	OR ø 78x2,5	O-Ring	1	☒
90	621000	Coperchio riduttore	Gear cap	1	
91	550930	Ruota dentata	Gear	1	Z= 64
92	620950	Guarnizione scatola	Gasket	1	
93	1140370	Tappo olio + OR	Oil plug & o-ring	1	
94	1980740	Tappo 3/8" G	Plug	3	Ottone/Brass ● C <sub>20</sub>
95	740290	OR ø 14x1,78	O-Ring	3	
96	621010	Vite TCEI M 10x75	Bolt	4	● C <sub>25</sub>
97	620960	Scatola riduttore	Gear box	1	
98	540290	Vite TCEI M 8x25	Bolt	4	● C <sub>25</sub>
99	651000	Vite TCEI 5/16"	Bolt	4	5/16"x24UNFx1"
100	881090	Linguetta	Key	1	
101	961800	Anello tenuta	Seal ring	1	☒
102	961790	Anello seeger	Circlip	1	
103	320240	Anello seeger	Circlip	2	
104	961780	Cuscinetto	Bearing	1	☒
105	621660	Pignone	Pinion	1	Z= 11
106	620990	Cuscinetto	Bearing	1	

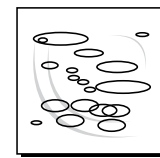
Bassa Pressione  
Low Pressure



KIT 2367	
Membrane gomma Buna diaphragms	
KIT 2368	
Membrane HPDS HPDS diaphragms	
KIT 2369	
Membrane Desmopan Desmopan diaphragms	
Pos.	Q.ty
8	3



KIT 2370	
Valvole Valves	
Pos.	Q.ty
16	6
17	6



KIT 2026	
OR O-Rings	
Pos.	Q.ty
16	6
19	7
29	1
47	1
52	1
54	1
66	1
81	1
83	1



KIT 2025					
Pronto intervento Maintenance repair					
Pos.	Q.ty	Pos.	Q.ty	Pos.	Q.ty
8	3	46	1	81	1
16	6	47	1	82	1
17	6	48	1	83	1
18	1	49	1	84	1
19	7	50	1		
20	1	53	1		
23	1	54	1		
26	1	64	1		
29	1	65	1		



Olio utilizzato	
Used oil	
Tipo - Type	Kg
Pompa-Pump SAE 30	1
Ridut. - Gear box SAE 30	0,26